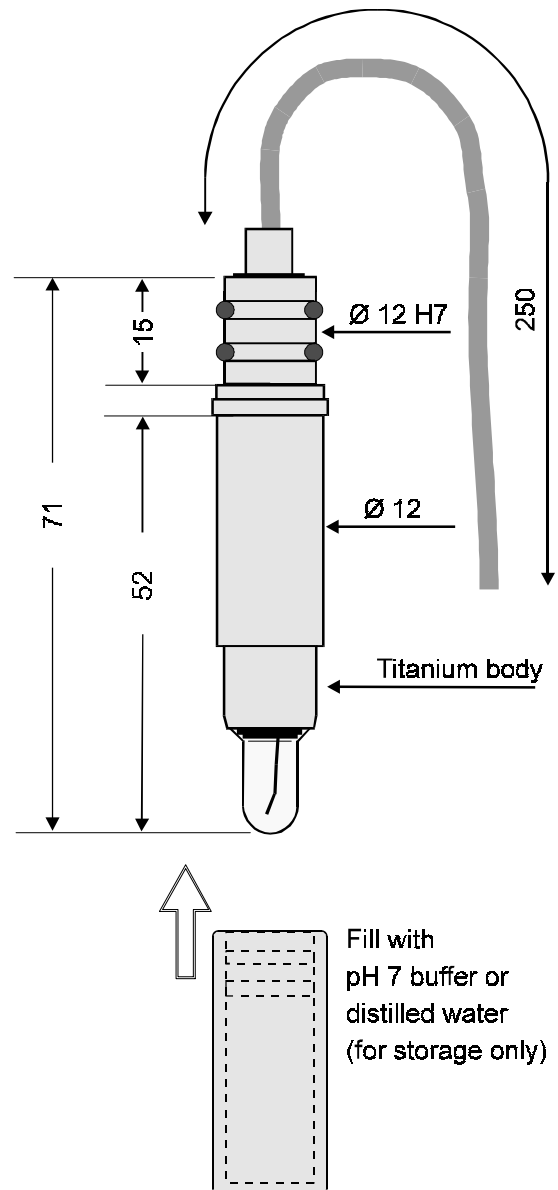


Cylindrical, high pressure glass membrane pH electrode.

Technical specifications:

Membrane type:	uranium glass membrane (500Mohm @ 20°C).
Null point:	7 pH.
Range:	1 .. 13 pH.
Drift:	0.05 pH/month.
Response time:	3 s.
Operating pressure:	600 bar.
Maximum pressure:	700 bar
Output connections:	shielded wire and LEMO plug.
Mounting:	through 12 mm hole with two O-ring seals (Parker 2-12).
Weight:	35 gr. (including the hydrating cap).
Body:	titanium.

Note: complete with hydrating cap half-filled with
pH 7 Buffer Solution.



NOTE: Dimensions are in millimeters.



IDRONAUT Srl

I - 20047 Brugherio (MI) ITALY
Via Monte Amiata, 10
Tel: +39 039 883832 Fax +39 039 883382
e-mail: idronaut@idronaut.it
<http://www.idronaut.it>

pH SENSOR (Glass) (700 bar)

Issue: May 1983

Revision: May 1995

TECHNICAL SPECIFICATIONS

Sheet 1/1